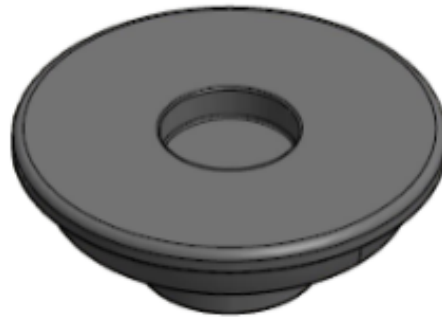


## MOUNTING INSTRUCTIONS



### 3D - LIFTING SYSTEMS | **TAF PROTECTION COVER**



## ATTACHMENT OF THE SLOT - ANCHORS IN CONCRETE

There must be a cavity in the concrete in order to link the TH2 lifting clutch to the T-slot anchor. This cavity is spherical in shape and can be either a half ball or a small ball slot. Various support kits are available for making this recess. For a half ball cavity, the TH2 lifting clutch can be attached in any direction and can ultimately turn in the cavity during lifting until the lifting hook has reached its proper position. The RB recess former is the most practical.

## RECESS FORMERS

The anchors are fitted in the mould with a recess former. The cavity former, enables the lifting clutch to fit over the anchor. Because of the special design, there are no sharp edges on the precast element. The recess formers are of course available in the same range as the lifting clutches and the anchors. This is indicated by a load group, marked on the top.

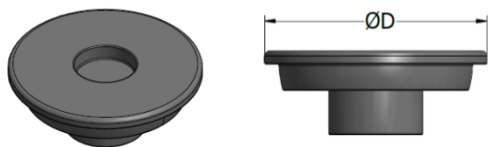
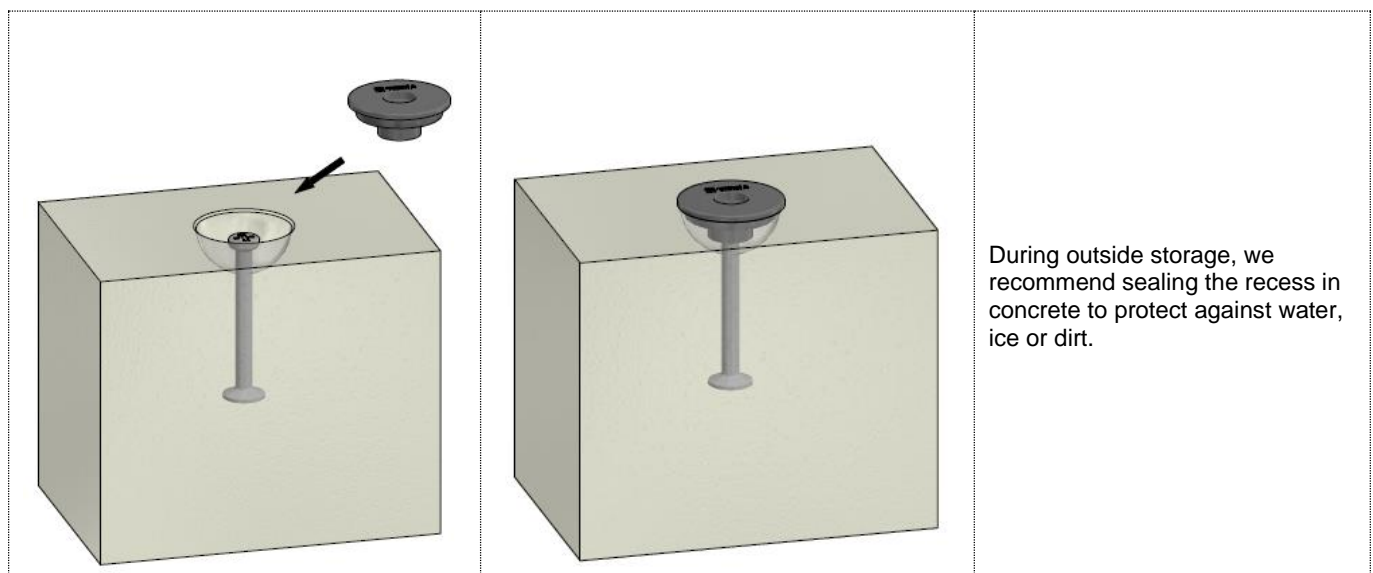
The formers are mounted on the mould with fixing plates. After demoulding the element, the recess formers can be removed easily. Another option is represented by the magnetic and steel recess formers.

The standard recess formers are made of rubber shore 65° - 70°. The rubber used has a good resistance to demould oil. The formers will keep their original shape, even when they are heated up to 120°C. They can be used many times. The steel magnetic recess formers are manufactured without rubber.

## TAF – PROTECTION COVER

The TAF-protection cover ensures good protection for the anchor and the recess against water, ice or dirt when the concrete precast elements are stored outside.

Protection cover TAF		Load group	D
Description	Product no.	[kN]	[mm]
TAF-013	43170	13	70
TAF-025	43171	25	85
TAF-050	43172	50	104
TAF-075/100	43173	75/100	130
TAF-150/200	46517	150/200	175
TAF-320	46519	320	241

**CONTACT**

TERWA is the global supplier for precast and construction solutions with multiple offices around the world. With all our staff, partners and agents, we are happy to provide all construction and precast companies who work in the building industry with full service and 100% support.

**TERWA CONSTRUCTION GROUP****Terwa Construction Netherlands (HQ)**

**Global Sales & Distribution**  
Kamerlingh Onneslaan 1-3  
3401 MZ IJsselstein  
The Netherlands  
**T** +31-(0)30 699 13 29  
**F** +31-(0)30 220 10 77  
**E** [info@terwa.com](mailto:info@terwa.com)

**Terwa Construction Central East Europe**

**Sales & Distribution**  
Strada Sânzieni  
507075 Ghimbav  
Romania  
**T** +40 372 611 576  
**E** [info@terwa.com](mailto:info@terwa.com)

**Terwa Construction Poland**

**Sales & Distribution**  
Ul. Cicha 5 lok. 4  
00-353 Warszawa  
Poland  
**E** [info@terwa.com](mailto:info@terwa.com)

**Terwa Construction India & Middle East**

**Sales & Distribution**  
India  
**T** +91 89 687 000 41  
**E** [info@terwa.com](mailto:info@terwa.com)

**Terwa Construction China**

**Sales & distribution**  
5F 504, No. 101 Chuanchang road  
PRC, 200032, Shanghai  
China  
**E** [info@terwa.com](mailto:info@terwa.com)

**ALL SPECIFICATIONS CAN BE CHANGED WITHOUT PREVIOUS NOTICE.**

**DISCLAIMER**

Terwa B.V. is not liable for deviations due to wear of the products it has delivered. Neither is Terwa B.V. liable for damage due to inaccurate and/or improper handling and use of the products it has delivered and/or use of same for purposes other than those intended.

Terwa B.V.'s responsibility is furthermore limited in accordance with article 13 of the "Metaalunie" conditions, which are applicable for all Terwa B.V. deliveries. The user is responsible for ensuring compliance with all applicable copyright laws. Without limiting the rights under copyright, no part of this documentation may be reproduced, stored in or introduced into a retrieval system, or transmitted in any form or by any means (electronic, mechanical, photocopying, recording, or otherwise), or for any purpose, without the express written permission of Terwa B.V.